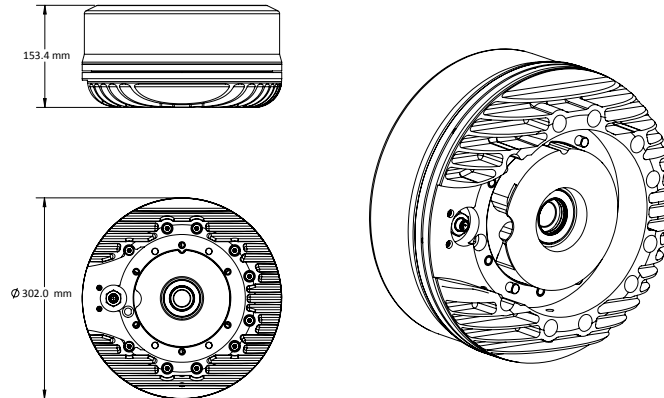




KLD D1164 ELECTRIC DRIVE SYSTEM

D1164 ELECTRIC MOTOR

The KLD motor is designed specifically for high frequency/low RPM operation. **It eliminates the need for a transmission and increases system efficiency.** The design is simple and reliable due to a single moving component.



Specifications

DIMENSIONS

Width	186 mm
Diameter	296 mm
Weight	22 kgs
Type	BLDC TENV
Magnet type	NdFeB/Neodymium
Minimum Input voltage	43 VDC
Maximum input voltage	63 VDC
Rated input voltage	61.5 VDC
Motor rated peak output - system limited	5.5 kW
Motor continuous output	5 kW
Peak torque	140 Nm
Cooling	Air

** Based on four stator block configuration*